



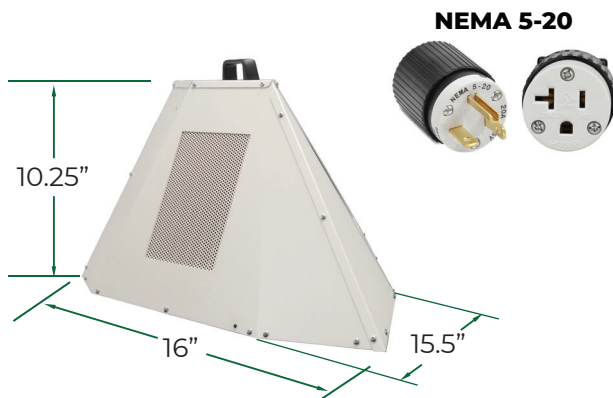
Eradi-Flo ER1800 110V 20-AMP

Portable Electric Heater Specification Sheet

Introducing the ER1800, a powerful 1,800-watt portable electric heater suitable for a wide range of applications. It efficiently heats **spaces up to 120 sq. ft. or 960 cu. ft.***, making it an excellent choice for both commercial and personal use. Operating on one 120V 20-AMP on-site circuit, this electric heater can reach a maximum temperature of 155°F (68.3°C), ensuring effective and reliable heating performance.

BedBug Electric Heaters Features

- No Chemicals
- No carbon monoxide emissions
- No ventilation required
- Non combustible
- Maintains a low humidity
- On-site electricity
- Durable
- Portable
- Designed for one-person operation
- Sturdy and secure design guarantees no tipping for enhanced safety



Room Size	up to 120 sq. ft. or 960 cu. ft.*
Heat Produced	6,150 BTUs
Heating Elements	(2) 900W elements
Wattage	1,800
Fuel	Electric
Dedicated Breaker	(1) 110V, 20-amp
Plug Type	NEMA 5-20P
Total AMPS	20
Total Air Volume	250 CFM
Internal Fan	1 speed
Temperature	72°F to 155°F (22°C to 68°C)
Dimensions (inches)	15.5 x 16 x 10.25
Dimensions (mm)	394 x 406 x 260
Weight	16 lbs. (7.3 kg.)
Adjustable Thermostat	Yes
Power Cord Length	Attached 7 ft.
Safety	No CO2, No fuel required
Warranty	5-Year Limited
Standards	ETL & CE Mark
Made In	USA

*Cu. ft. based on an 8 ft. ceiling height.

Other Supplemental Heat

BedBug Eradicator | Hospitality | Property Management | Shelters/HUD | Construction sites | Barns | Restoration & Remediation | Garages | Shops | Greenhouses | Out Buildings | Crawl Spaces | Attics | Workout Rooms | Grow Houses | Cruise Ships | Cargo Ships | International

Visit www.tri-flo.com for pricing details. Feel free to reach out to us via phone to discover how we can assist you in effectively managing your bed bug problems while saving money.



341 1st Street, Unit D-1, P.O. Box 686 Mead, CO 80542

www.tri-flo.com
Phone: (303) 532-2494

