



DIY 100 110V 20-AMP Portable Electric Heater Package Specifications

Attention DIY bedbug warriors! We've put together the ultimate package equipped with everything you need to take on bedbug infestations like a pro. Featuring a powerful Eradi-Flo 1,800-watt heater, our bedbug heaters operate on simple on-site electricity, requiring just a 110V 20-AMP circuit per unit. With this package, you can easily eliminate bedbugs in **rooms up to 120 sq. ft. (or 960 cu. ft.*)**. Don't hesitate—grab this package today and say goodbye to bedbugs once and for all. Plus, enjoy **FREE** shipping within the continental US, and as a special bonus, get a **FREE** Detailed Field Guide for Bedbug Eradication with your purchase. It's time to take control and eradicate those pests with confidence!



BedBug Electric Heaters Features

- No Chemicals
- No carbon monoxide emissions
- No ventilation required
- Non combustible
- Maintains a low humidity
- On-site electricity
- Durable
- Portable
- Designed for one-person operation
- Sturdy and secure design guarantees no tipping for enhanced safety

Package Includes

- (1) ER1800
- (1) Fan
- (1) Laser Infrared Thermometer
- (1) FREE Detailed Field Guide for Bedbug Eradication

This Package Provides

960 CU. FT. OF COVERAGE

1,970 TOTAL CFMs

6,150 TOTAL BTUs

*Cu. ft. based on an 8 ft. ceiling height.

BedBug Fact: They can hide in cracks and crevices, making them difficult to detect.



341 1st Street, Unit D-1, P.O. Box 686 Mead, CO 80542

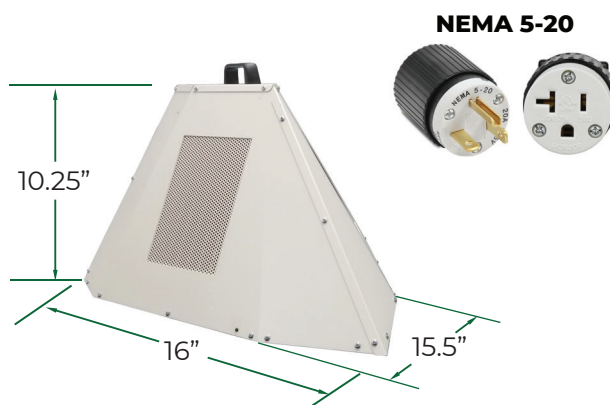
www.tri-flo.com

Phone: (303) 532-2494



ER1800 Heater

- Heat Produced: 6,150 BTUs
- Heat Elements: 2 elements
- Wattage: 1,800
- Fuel: Electric
- Power Requirements: 110V 20-amp circuit
- Plug: NEMA 5-20P
- Total AMPS: 20
- Fan speed: 250 CFM
- Internal Fan: 1 speed
- Temperature: 72°F to 155°F (22°C to 68°C)
- Dimensions (inches): 15.5 x 16 x 10.25
- Dimensions (mm): 394 x 408 x 260
- Weight: 16 lbs. (7.3 kg.)
- Adjustable Thermostat: Yes
- Power cord Length: Attached 7 ft.
- Safety: No CO2 emissions
- Warranty: 5-Year Limited
- Standards: ETL Listed and CE Mark
- Made: USA



Fan

- Volts/Cycle: 115V / 60 Hz
- Power: 1.6A
- Operating Positions: 360°
- Dimensions (inches): 18.6 x 9.2 x 19.4
- Cord: 20 feet
- Stackable: Yes
- Model and color may vary (see website for return policy)
- Warranty: 1 Year Limited (must go onto Fan website to warrant)
- Motor: 1/4HP
- Rated Airflow: 1,720 CFM
- Speeds: Variable Speed Control
- Weight: 17.6 lbs. (kg.)
- Rack/Stand: Included
- Built-in daisy chair power outlet



Laser Infrared Thermometer

A laser infrared thermometer is a precise and non-contact temperature measuring device that utilizes a laser to target and measure temperatures from a distance. It provides quick and accurate readings, making it suitable for bedbug eradication.



FREE Detailed Field Guide for BedBug Eradication

The free detailed field guide for bedbug eradication is an invaluable resource, providing essential information and guidance to effectively eliminate bedbugs. Packed with expert tips and step-by-step instructions, it empowers users with the knowledge needed to tackle bedbug infestations confidently.

For the latest pricing, please visit www.tri-flo.com.

Contact us to discover how we can assist in managing your bedbug problems and saving you money.



341 1st Street, Unit D-1, P.O. Box 686 Mead, CO 80542
www.tri-flo.com
Phone: (303) 532-2494

