



DIY 250 110V 15-AMP Portable Electric Heater Package Specifications

Calling all DIY bedbug warriors! Look no further, as we have assembled the optimal package with all the necessary equipment to tackle those pesky bedbugs head-on. Featuring three (3) powerful Eradi-Flo 1,400-watt heaters, our bedbug heaters operate effortlessly on on-site electricity, requiring a simple 110V 15-AMP circuit for each unit. Take charge and easily eliminate bedbugs in rooms **up to 270 sq. ft. (or 2,160 cu. ft.*)**. Don't delay; seize this package today and bid farewell to bedbugs once and for all. Plus, enjoy **FREE** shipping within the continental US, and as a special bonus, receive a **FREE** Detailed Field Guide for Bedbug Eradication with your purchase. It's time to unleash your DIY expertise and put an end to those bothersome bedbugs!



BedBug Electric Heaters Features

- No Chemicals
- No carbon monoxide emissions
- No ventilation required
- Non combustibile
- Maintains a low humidity
- On-site electricity
- Durable
- Portable
- Designed for one-person operation
- Sturdy and secure design guarantees no tipping for enhanced safety

Package Includes

- (3) ER1400
- (2) Fans
- (1) Laser Infrared Thermometer
- (1) FREE Detailed Field Guide for Bedbug Eradication

This Package Provides

2,160 CU. FT. OF COVERAGE

4,190 TOTAL CFMs

14,340 TOTAL BTUs

*Cu. ft. based on an 8 ft. ceiling height.

BedBug Fact: Bedbugs are primarily active at night and prefer to feed on their hosts while they sleep.



341 1st Street, Unit D-1, P.O. Box 686 Mead, CO 80542

www.tri-flo.com

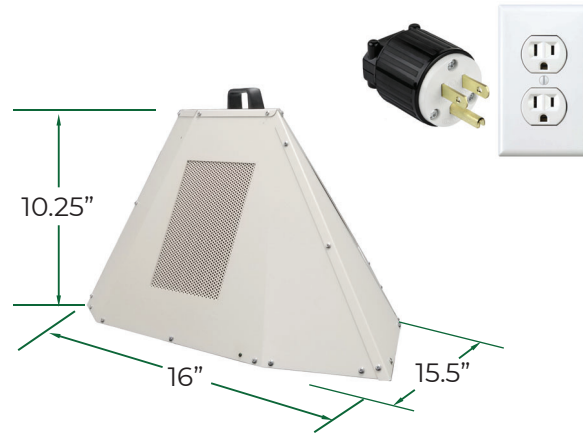
Phone: (303) 532-2494



ER1400 Heater

- Heat Produced: 4,780 BTUs
- Heat Elements: 2 elements
- Wattage: 1,400
- Fuel: Electric
- Power Requirements: 110V 15-amp circuit
- Plug: NEMA 5-15P
- Total AMPS: 11.7
- Fan speed: 250 CFM
- Internal Fan: 1 speed
- Temperature: 72°F to 155°F (22°C to 68°C)
- Dimensions (inches): 15.5 x 16 x 10.25
- Dimensions (mm): 394 x 408 x 260
- Weight: 16 lbs. (7.3 kg.)
- Adjustable Thermostat: Yes
- Power cord Length: Attached 7 ft.
- Safety: No CO2 emissions
- Warranty: 5-Year Limited
- Standards: ETL Listed and CE Mark
- Made: USA

NEMA 5-15



Fan

- Volts/Cycle: 115V / 60 Hz
- Power: 1.6A
- Operating Positions: 360°
- Dimensions (inches): 18.6 x 9.2 x 19.4
- Cord: 20 feet
- Stackable: Yes
- Model and color may vary (see website for return policy)
- Warranty: 1 Year Limited (must go onto Fan website to warrant)
- Motor: 1/4HP
- Rated Airflow: 1,720 CFM
- Speeds: Variable Speed Control
- Weight: 17.6 lbs. (kg.)
- Rack/Stand: Included
- Built-in daisy chair power outlet



Laser Infrared Thermometer

A laser infrared thermometer is a precise and non-contact temperature measuring device that utilizes a laser to target and measure temperatures from a distance. It provides quick and accurate readings, making it suitable for bedbug eradication.



FREE Detailed Field Guide for BedBug Eradication

The free detailed field guide for bedbug eradication is an invaluable resource, providing essential information and guidance to effectively eliminate bedbugs. Packed with expert tips and step-by-step instructions, it empowers users with the knowledge needed to tackle bedbug infestations confidently.

For the latest pricing, please visit www.tri-flo.com.

Contact us to discover how we can assist in managing your bedbug problems and saving you money.



341 1st Street, Unit D-1, P.O. Box 686 Mead, CO 80542

www.tri-flo.com
Phone: (303) 532-2494

