



DIY 350 110V 20-AMP Portable Electric Heater Package Specifications

Attention all DIY (Do It Yourself) enthusiasts! This all-inclusive package comes fully equipped with everything you need to take on those pesky bedbugs with confidence. Featuring three (3) powerful Eradi-Flo 1,800-watt heaters, our bedbug heaters operate effortlessly on on-site electricity, requiring just a 110V 20-AMP circuit for each unit. Say goodbye to bedbug infestations in rooms **up to 360 sq. ft. (or 2,880 cu. ft.*)**. Don't wait any longer; seize this package today and bid farewell to bedbugs once and for all. Plus, enjoy **FREE** shipping within the continental US, and as a special bonus, receive a **FREE** Detailed Field Guide for Bedbug Eradication with your purchase. Take charge and tackle bedbugs on your own terms!



BedBug Electric Heaters Features

- No Chemicals
- No carbon monoxide emissions
- No ventilation required
- Non combustible
- Maintains a low humidity
- On-site electricity
- Durable
- Portable
- Designed for one-person operation
- Sturdy and secure design guarantees no tipping for enhanced safety

*Cu. ft. based on an 8 ft. ceiling height.

Package Includes

- (3) ER1800
- (2) Fans
- (1) Laser Infrared Thermometer
- (1) FREE Detailed Field Guide for Bedbug Eradication

This Package Provides

2,880 CU. FT. OF COVERAGE
4,190 TOTAL CFMs
18,450 TOTAL BTUs

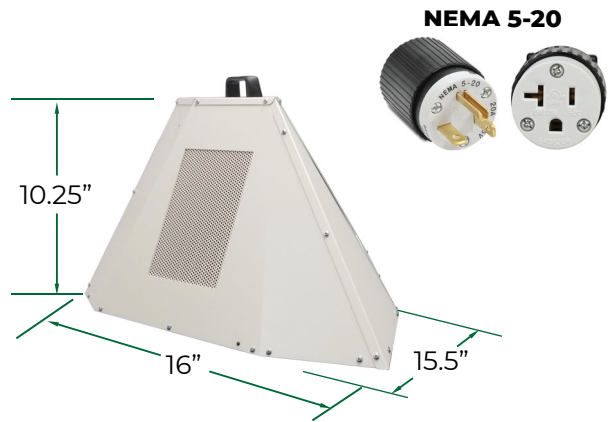
BedBug Fact: Bedbugs can survive for several months without feeding, making them resilient pests.

www.tri-flo.com
Phone: (303) 532-2494



ER1800 Heater

- Heat Produced: 6,150 BTUs
- Heat Elements: 2 elements
- Wattage: 1,800
- Fuel: Electric
- Power Requirements: 110V 20-amp circuit
- Plug: NEMA 5-20P
- Total AMPS: 20
- Fan speed: 250 CFM
- Internal Fan: 1 speed
- Temperature: 72°F to 155°F (22°C to 68°C)
- Dimensions (inches): 15.5 x 16 x 10.25
- Dimensions (mm): 394 x 408 x 260
- Weight: 16 lbs. (7.3 kg.)
- Adjustable Thermostat: Yes
- Power cord Length: Attached 7 ft.
- Safety: No CO2 emissions
- Warranty: 2-Year Limited
- Made: USA



Fan

- Volts/Cycle: 115V / 60 Hz
- Power: 1.6A
- Operating Positions: 360°
- Dimensions (inches): 18.6 x 9.2 x 19.4
- Cord: 20 feet
- Stackable: Yes
- Model and color may vary (see website for return policy)
- Warranty: 1 Year Limited (must go onto Fan website to warrant)
- Motor: 1/4HP
- Rated Airflow: 1,720 CFM
- Speeds: Variable Speed Control
- Weight: 17.6 lbs. (kg.)
- Rack/Stand: Included
- Built-in daisy chair power outlet



Laser Infrared Thermometer

A laser infrared thermometer is a precise and non-contact temperature measuring device that utilizes a laser to target and measure temperatures from a distance. It provides quick and accurate readings, making it suitable for bedbug eradication.



FREE Detailed Field Guide for BedBug Eradication

The free detailed field guide for bedbug eradication is an invaluable resource, providing essential information and guidance to effectively eliminate bedbugs. Packed with expert tips and step-by-step instructions, it empowers users with the knowledge needed to tackle bedbug infestations confidently.

For the latest pricing, please visit www.tri-flo.com.

Contact us to discover how we can assist in managing your bedbug problems and saving you money.

www.tri-flo.com
Phone: (303) 532-2494

