



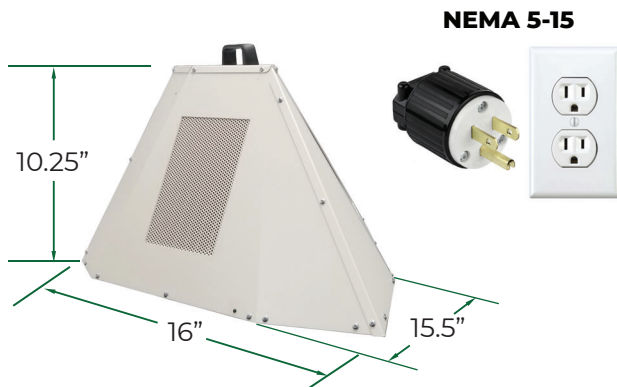
Eradi-Flo ER1400 110V 15-AMP

Portable Electric Heater Specification Sheet

Introducing the ER1400, a powerful 1,400-watt portable electric heater designed for versatility. Suitable for **spaces up to 90 sq. ft. or 720 cu. ft.***, this heater is an ideal choice for both commercial and personal applications. Operating at one 110V 15-AMP on-site circuit, it delivers a maximum temperature of 155°F for effective and efficient heating.

BedBug Electric Heaters Features

- No Chemicals
- No carbon monoxide emissions
- No ventilation required
- Non combustible
- Maintains a low humidity
- On-site electricity
- Durable
- Portable
- Designed for one-person operation
- Sturdy and secure design guarantees no tipping for enhanced safety



Room Size	up to 90 sq. ft. or 720 cu. ft.*
Heat Produced	4,780 BTUs
Heating Elements	(2) 700W elements
Wattage	1,400
Fuel	Electric
Dedicated Breaker	(1) 110V, 15-amp
Plug Type	NEMA 5-15P
Total AMPS	11.7
Total Air Volume	250 CFM
Internal Fan	1 speed
Temperature	72°F to 155°F (22°C to 68°C)
Dimensions (inches)	15.5 x 16 x 10.25
Dimensions (mm)	394 x 406 x 260
Weight	16 lbs. (7.3 kg.)
Adjustable Thermostat	Yes
Power Cord Length	Attached 7 ft.
Safety	No CO2, No fuel required
Warranty	2-Year Limited
Made In	USA

*Cu. ft. based on an 8 ft. ceiling height.

Other Supplemental Heat

BedBug Eradicator | Hospitality | Property Management | Shelters/HUD | Construction sites | Barns | Restoration & Remediation | Garages | Shops | Greenhouses | Out Buildings | Crawl Spaces | Attics | Workout Rooms | Grow Houses | Cruise Ships | Cargo Ships | International

Visit www.tri-flo.com for pricing details. Feel free to reach out to us via phone to discover how we can assist you in effectively managing your bed bug problems while saving money.

www.tri-flo.com
Phone: (303) 532-2494

