

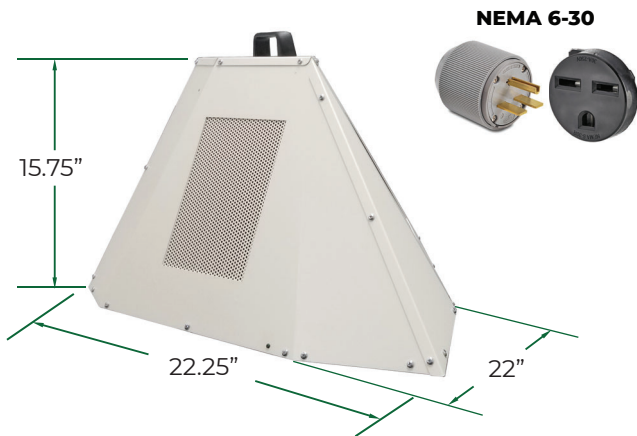


## Eradi-Flo ER5000 220V 30-AMP Portable Electric Heater Specification Sheet

The ER5000 offers robust heating capabilities, catering to various spaces and applications, serving both commercial and personal needs. A versatile 5,000-watt portable electric heater designed for a wide range of applications. It effectively heats rooms **up to 350 sq. ft. or 2,800 cu. ft.\***, making it a perfect choice for both commercial and personal use. This electric heater operates on one 220V, 30-AMP on-site circuit and reaches a maximum temperature of 155°F (68.3°C), ensuring efficient and reliable heating.

### BedBug Electric Heaters Features

- No Chemicals
- No carbon monoxide emissions
- No ventilation required
- Non combustible
- Maintains a low humidity
- On-site electricity
- Durable
- Portable
- Designed for one-person operation
- Sturdy and secure design guarantees no tipping for enhanced safety



<b>Room Size</b>	up to 350 sq. ft. or 2,800 cu. ft.*
<b>Heat Produced</b>	17,100 BTUs
<b>Heating Elements</b>	(2) 2500W elements
<b>Wattage</b>	5,000
<b>Fuel</b>	Electric
<b>Dedicated Breaker</b>	(1) 220V, 30-amp
<b>Plug Type</b>	NEMA 6-30P
<b>Total AMPS</b>	20.8
<b>Total Air Volume</b>	850 CFM
<b>Internal Fan</b>	1 speed
<b>Temperature</b>	72°F to 155°F (22°C to 68°C)
<b>Dimensions (inches)</b>	22 x 22.25 x 15.75
<b>Dimensions (mm)</b>	559 x 565 x 400
<b>Weight</b>	33 lbs. (15 kg.)
<b>Adjustable Thermostat</b>	Yes
<b>Power Cord Length</b>	Attached 7 ft.
<b>Safety</b>	No CO2, No fuel required
<b>Warranty</b>	2-Year Limited
<b>Made In</b>	USA

\*Cu. ft. based on an 8 ft. ceiling height.

### Other Supplemental Heat

BedBug Eradicator | Hospitality | Property Management | Shelters/HUD | Construction sites | Barns | Restoration & Remediation | Garages | Shops | Greenhouses | Out Buildings | Crawl Spaces | Attics | Workout Rooms | Grow Houses | Cruise Ships | Cargo Ships | International

Visit [www.tri-flo.com](http://www.tri-flo.com) for pricing details. Feel free to reach out to us via phone to discover how we can assist you in effectively managing your bed bug problems while saving money.

[www.tri-flo.com](http://www.tri-flo.com)  
Phone: (303) 532-2494

